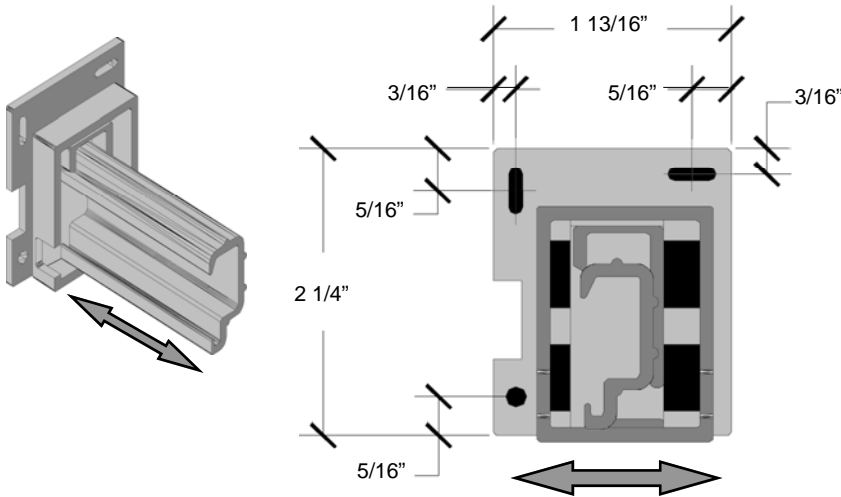


200 and 950 Series Standard Rear Mounting Brackets



251 2-Way Adjustable



Bracket Description:

#950BK251 bracket has built in longitudinal and latitudinal adjustment.

Screw Fastening:

3 pan head #6 screws located in provided holes.

Cabinet Track Installation:

Cabinet track must be inserted in the bracket a minimum of 1 1/4" to prevent bracket damage. A longer cabinet track is required if the insertion is less than 1 1/4".

ITEM#	SIZE	SOLD IN PAIRS
950BK251R	ADJUSTABLE REAR BRACKET—RIGHT HAND	
950BK251L	ADJUSTABLE REAR BRACKET—LEFT HAND	