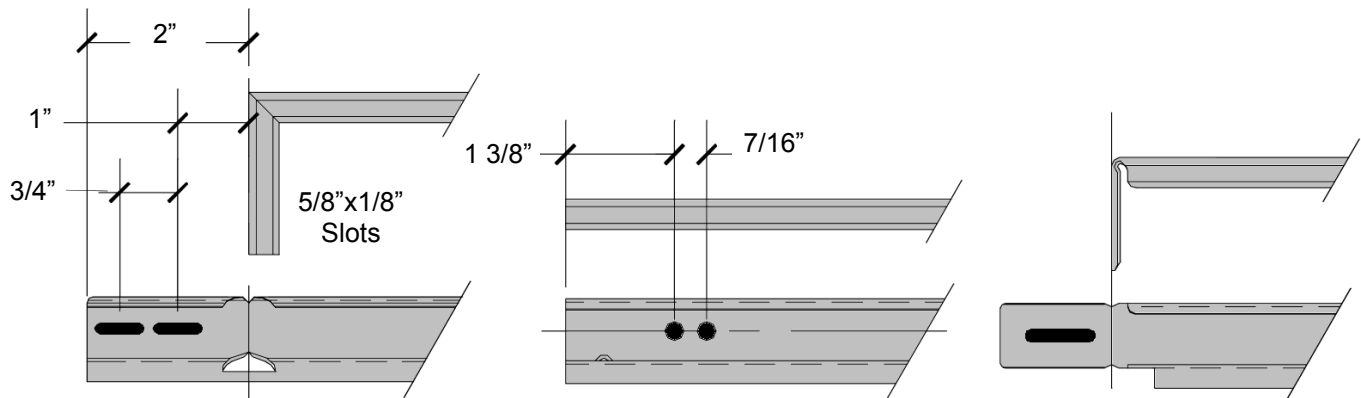


200 and 950 Series Custom Fastening Options



200 and 950 Series Rear Fastening Configuration Options



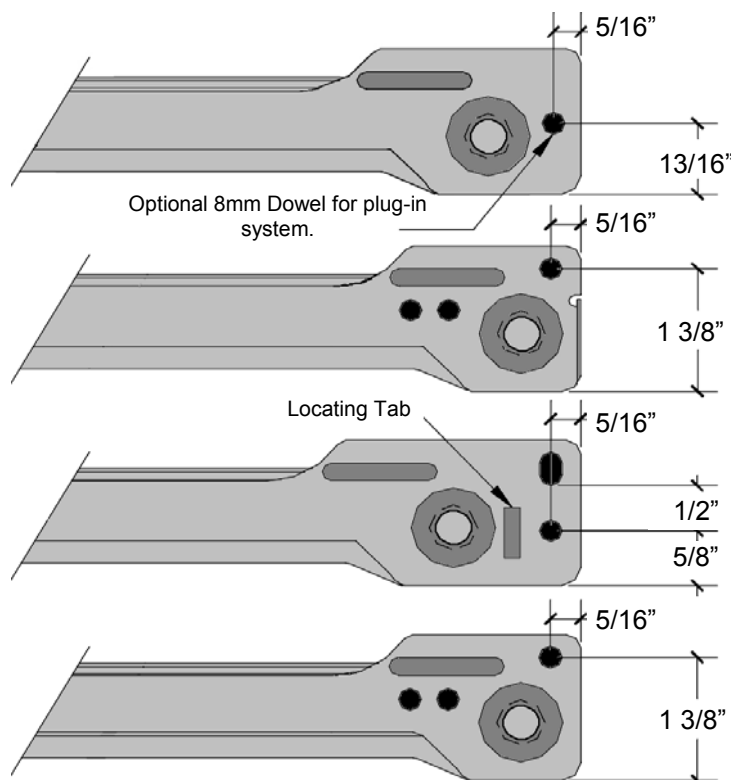
“V-NOTCH” REAR
 Integrated pre-bent rear that fastens directly to cabinet back. No bracket required

“S” REAR
 Standard rear to be used with brackets 950BK240, 950BK241, 950BK250 & 950BK251

“P-BEND” REAR
 Pre-Bent to be used with integrated plastic bracket 260.3125, 260.4375, 260.6875 & 950BK261

950 Series Front Fastening Configuration Options*

Custom Front Configurations Available, Call for Details



“C” FRONT
 Centered hole flange configuration for frame mounting or optional plug-in. 3/8” setback available with 9/16” self-close.

“RV” FRONT
 Recreation vehicle and child lock retaining tab system. Provides positive lock, must lift drawer over tab to pull drawer out.

“H” FRONT
 Extended flange for approximate 1/2” roll out tray setback to clear hinges.

“S” FRONT
 Standard hole configuration