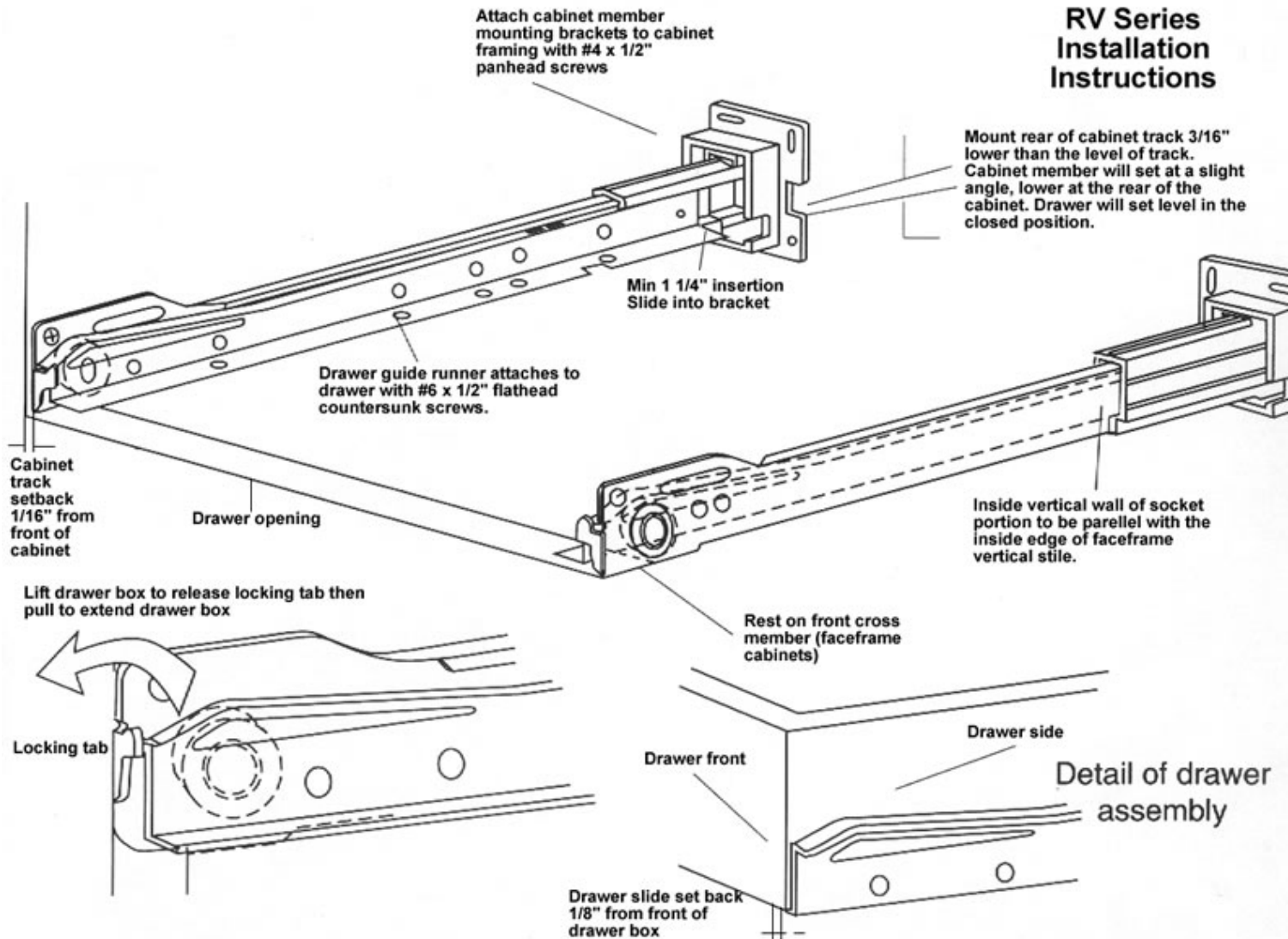


RV Series Installation Instructions



Notes: For standard product spike is optional and not found on all parts. Positive stop is typically only on one hand.

Custom parts the spike and positive stop will be per customer specifications.

Tab may get bent during shipping especially when using UPS ground. Use pliers to straighten if draw won't lock correctly.

1/8" drawer track setback is critical for proper operation.

When using the 251 bracket, if the cabinet track is fully inserted the bracket will extend the cabinet track 5mm – 6mm (.1968" - .2362"). For example when a 600mm cabinet track is fully inserted into the 251 bracket, the overall length will be 605mm-606mm.